

OPERATION AND CARE

OPERATION

Pull on the beaded cord to raise or lower the shade. "Stops" on the cord set the upper and lower limits of shade travel. With the stop for the upper limit against the clutch, the bottom rod should be approximately even with the bottom of the clutch.

CARE & CLEANING

- Shade fabrics are specially treated to repel dust and dirt.
- **Dusting.** Regular dusting maintains a like-new appearance.
- **Vacuuming.** For deeper cleaning, vacuum gently with brush attachment of any vacuum cleaner.
- **Spot-Cleaning.** Spot-clean shades with soft cloth or sponge moistened with lukewarm water. Add mild detergent if needed. Blot gently and dry shade in fully lowered position.

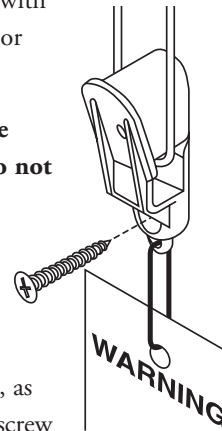
CHILD SAFETY

Warning: Parents should know that children could accidentally strangle in the window covering cords. Keep the beaded cord out of the reach of children with the Kensington Tension Device. The Tension Device reduces the hazards of strangulation and entanglement of young children by limiting access to the control cord. Anchor the Tension Device, that is attached to the shades' control cord or bead chain, to the window frame or wall, so that young children cannot pull the cord around their necks.

1. Lower the shade or blind.
2. Hold the Tension Device upright so the Warning Tag hangs straight down as shown on the diagram.
3. Position the Tension Device on the window frame or the wall so that the Tension Device and the control cord do not interfere with raising or lowering the shade or blind.

- **The beaded chain must be taut, but still operable; do not allow for any slack.**
- **Do not twist or cross the beaded chain.**

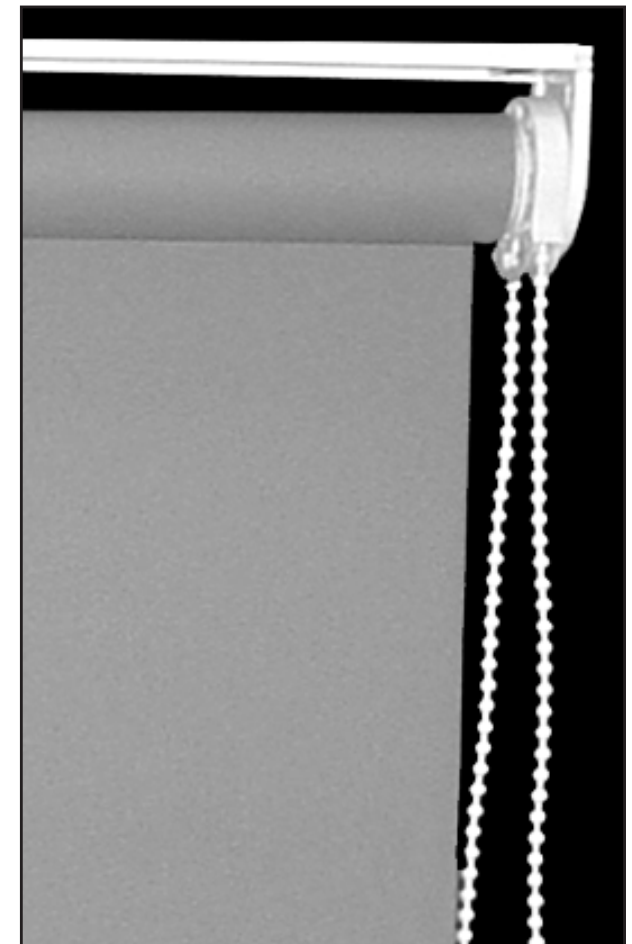
4. Holding the Tension Device upright, taut, and in position, as shown, insert and secure the screw into the hole.



Note: The mounting screw must be secured into a solid surface or molly.

ROLLER SHADES

INSTALLATION INSTRUCTIONS



TOOLS NEEDED

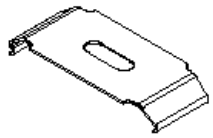
To install Roller Shades, you'll need a few basic tools:

- Measuring Tape
- Power Drill and Drill Bits
- Phillips Screwdriver
- Carpenter's Level

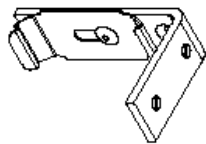
Important: The shade is shipped completely rolled up and wrapped. To keep the fabric roll in its proper relationship to the "stops" on the beaded cord, do not unroll the shade until after you finish installing it.

MOUNTING THE INSTALLATION BRACKETS

Roller Shades can be mounted inside or outside the window casement. Depending upon the type of mounting, different brackets are used to install the shade, as shown in the illustrations below.



Inside Mount Bracket



Outside Mount Bracket

BRACKET INSTALLATION

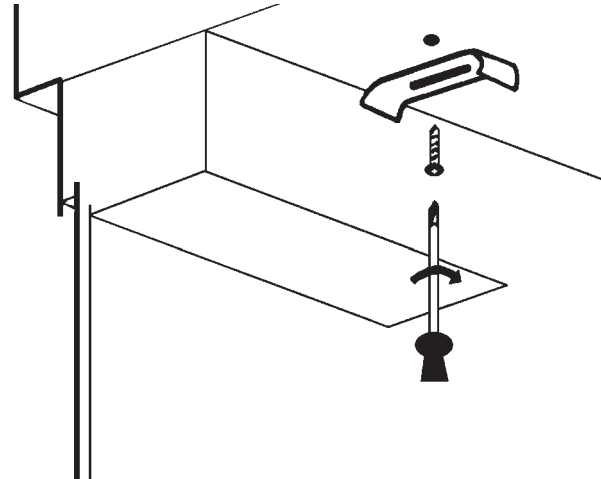
Shades are shipped with the required number of brackets for proper installation. End brackets should be located with centerlines 2" in from each end. Depending on the width of the shade, additional brackets may be necessary—evenly spaced between the two end brackets.

For shade widths of:	Use this number of brackets:
Up to 40"	2
40" to 72"	3
72" to 84"	4
84" and up	5

Using the installation bracket as a template, measure and mark the center lines. When mounting brackets, make sure they are in line and level.

INSIDE MOUNT

The brackets are mounted flat against the top sill surface. Place the screw through the hole closest to the front of the bracket.



OUTSIDE MOUNT

The brackets are mounted with two screws through the back end of the bracket flat against the window molding or the wall above the window. The bracket requires a minimum surface 3/4" high.

HANGING THE SHADE

Unwind the beaded chain from the shade but keep the rubber band around the shade stack.

1. Hold the shade up near the brackets and insert the front clip of the bracket into the front groove of the rail.
2. Make sure the shade is centered in the window opening.
3. Push the mounting profile in and up until the back clips of the bracket are inserted in the back groove of the rail.
4. Slide on bracket covers.



ROLLER SHADE ADJUSTMENT

Using the beaded cord, lower the window shade to its full drop. Then raise the shade slowly and observe how the fabric winds on the roll.

If the fabric roll winds unevenly and starts to gather toward one side, first check that the shade is level. Level mounting is essential for proper operation. If the shade is not level, remove it from the installation brackets and shim or re-install the brackets, as necessary.

Important: If the shade became unrolled before being installed, it may not raise and lower to the right points. To correct this:

1. remove the shade from the mounting brackets;
2. roll up the shade until the bottom rod is about even with the bottom of the clutch; and
3. re-install the shade.

SHADE LENGTH ADJUSTMENT

If your shade is slightly long or a little too short for your window opening, the "drop" can be adjusted in the following manner:

1. Raise shade completely (until connector touches back of clutch).
2. Pry open second connector with small thin screwdriver. Take extra care not to let the blade slip!
3. Move connector two to four beads up for a shorter "drop" or two to four beads down for a longer "drop." (Max. adjustment is 1 3/4")